

CLA-300

Active Compact Line Array

Item ref: 171.227, 171.228

User Manual



Warning

To prevent risk of fire or electric shock, do not expose any of the components to rain or moisture. If liquids are spilled on the amplifier panel, stop using immediately, allow unit to dry out and have checked by qualified personnel before further use. Avoid impact or dropping of the cabinets.

No user serviceable parts inside – Do not open the case – refer all servicing to qualified service personnel.

Safety

- Ensure all fixings are secure and adequate for supporting the weight of the CLA-300
- Ensure that the power cord is in good condition and adequate for the power rating
- Check for correct mains voltage and condition of IEC lead before connecting to power outlet
- Ensure speaker link leads are good condition with no short connections or damaged plugs
- Connect no more than 4 mid-top array cabinets to one active sub unit
- Avoid constant overload of the unit (indicated by constant lighting of the PEAK LED)
- Do not allow any foreign objects to enter the case or through the speaker grilles
- In case of failure of the CLA-300, disconnect from the mains and check fuse. If fault repeats, refer to qualified service personnel

Placement

- Keep amplifier panel out of direct sunlight and away from heat sources
- Avoid damp or dusty environments
- Ensure that the CLA-300 is not positioned in a manner that may cause injury
- Ensure adequate access to controls and connections

Cleaning

- Use a soft cloth with a neutral detergent to clean the casing as required
- Use a vacuum cleaner to clear ventilation grilles of any dust or debris build-ups
- Do not use strong solvents for cleaning the unit

Introduction

Thank you for choosing the Citronic CLA-300 active compact line array system. This self-contained unit can operate independently or as part of a larger system to provide accurate, full-range sound reproduction for applications as diverse as theatre, conference, live music venues and houses of worship. Please read and follow the instructions in this manual to achieve the best results and avoid damage through incorrect usage.

Description

The CLA-300 is a self-contained active speaker system which combines an active 2 x 8" subwoofer with a group of 4 arrayed mid-top cabinets. The power amplifier section is housed in the subwoofer unit which, in turn, is linked to power the 4 mid-top cabinets. Each mid-top cabinet houses a pair of 4" mid drivers and a precision ribbon tweeter for high frequencies and is engineered to provide a focused vertical output with a very wide dispersion for maximum horizontal coverage

The input signal is fed via a digitally controlled EQ and dynamics processor to maximize efficiency in the system and enable frequency adjustment to tailor the output to suit the venue or application. Connection to a PC gives access to the DSP processor using the supplied software CDROM, allowing bespoke programming of the response and tone characteristics of the sub and array.

Various installation methods are possible with the custom-designed mounting/flying frame, depending upon the building or surroundings and can be combined to provide modular arrays or multi-point sound reinforcement for larger areas.

Components

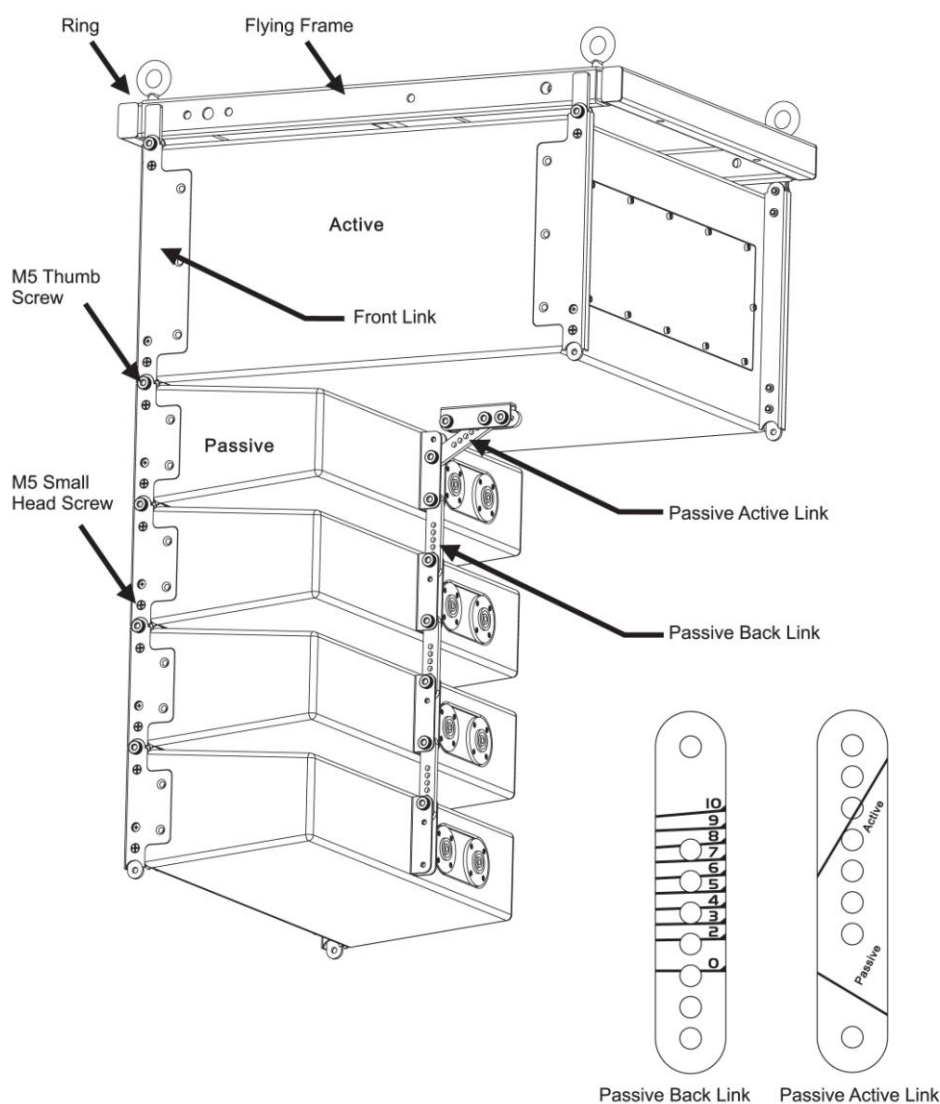
Please check the contents when opening the packaging. If any components are missing or damaged, contact your dealer immediately. The package should contain...

- 1 x Active subwoofer unit
- 4 x Passive line-array mid-top cabinets
- 1 x Mounting/flying frame
- 1 x Packet of fixing hardware
- 1 x Software CDROM
- 1 x Mains lead
- 1 x RS-232 cable
- 1 x USB cable
- 4 x Speaker leads

Assembly

The CLA-300 may be assembled as a single vertically flown array, inverted as a floor-standing stack or combined into a multiple array. Assembly for standard flown orientation is shown below.

1. Secure the 4 x M8 eyebolts to the corners of the flying frame. Each eyebolt must be securely fixed using the appropriate hardware to ensure that there is no movement of the fixing or possibility of becoming unfastened through movement or vibration and should be suspended from a permanent fixing in the ceiling which is adequate for holding the weight of the complete line-array.
2. Undo the M5 thumb screws at the bottom of the active sub and take out the Passive-Active Link
3. Undo the 2 x M5 thumb screws at front side of the passive unit, align the holes with similar at the base of the sub and fasten the M5 screws through both, securing passive units to the sub
4. Attach the Passive-Active Link and Passive Back Link brackets as shown below (Angle adjustment is explained in the "Installation" section)

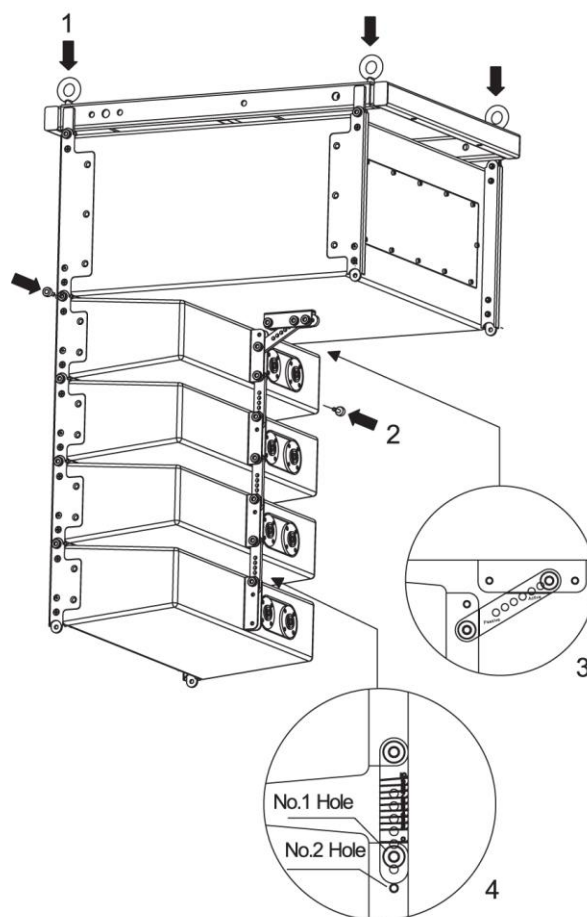
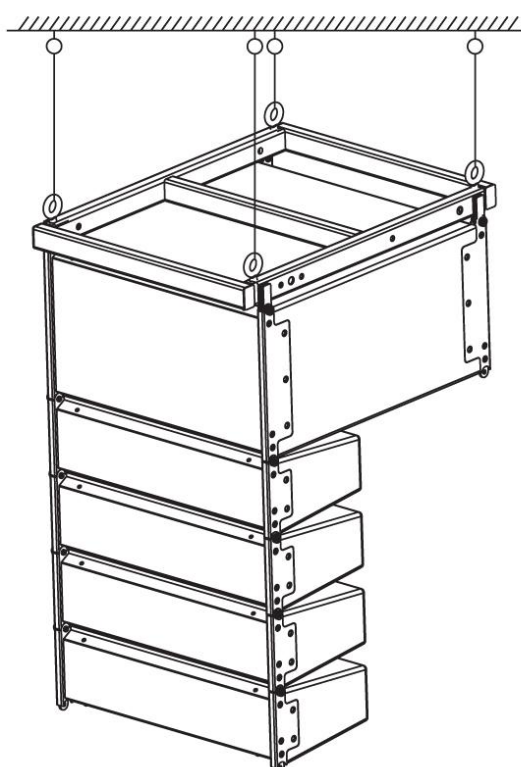


Installation

Single Flown Array

For standard single flown array, installation is executed using 4 supplied eyebolts attached to each corner of the flying frame. Fixings should be the strongest possible type for the substrate or ceiling supports to ensure a fail-safe installation. Suspension via wire rope or steel cables, each with a breaking strain of no less than 200kg is recommended per single line-array system.

In some situations, it may be easier to suspend the sub unit first and then assemble line-array speakers below it, ensuring that the weight of each is adequately supported before securing to the array.



Once assembled, the line-array can be curved to address the listening field by selecting various angle points on the Passive Back Link brackets provided. The angle chosen depends largely upon the distance from the audience and the acoustic environment but should be adjusted so that each array speaker unit is vertically focused to evenly distribute the output across the listening field.

Each Passive Back Link bracket has numbered lines for tilt in degrees. Number 1 Hole is used for even number degrees tilt and Number 2 Hole is used for odd number degrees of tilt. Whilst supporting the weight of the passive speaker, use these lines to align the correct fastening hole for the degree of tilt required for each component in the array.

For example, if the required splay angle is 5°, the line marked with the number 5 on the Passive Back Link must be aligned with the bottom edge of the groove on the back of the top speaker. The Number 2 Hole on the lower speaker can be aligned with the hole in the Passive Back Link and secured using the M5 screw.

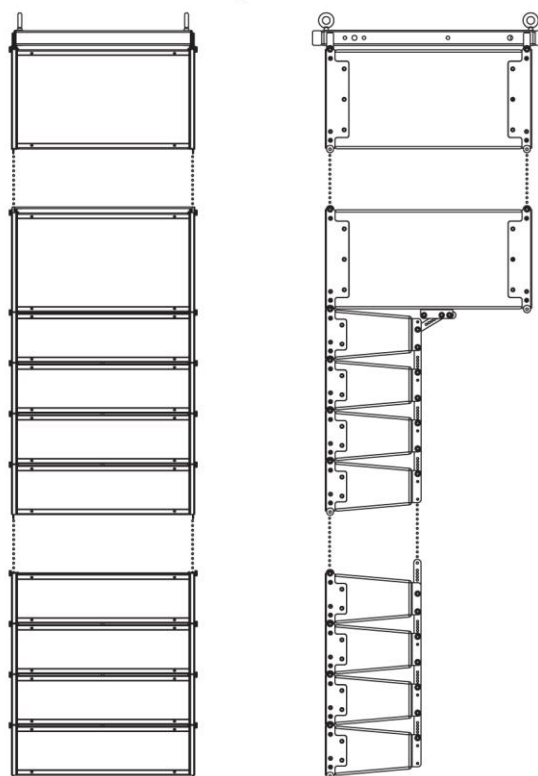
Multiple Flown Array

For multiple flown line-array, installation is similar to that of a single array with sub cabinets coupled together and passive units all flown in a single, longer array.

With the uppermost sub unit attached to its flying frame, secure the 4 x M8 eyebolts for flying. Undo the 2 x M5 thumb screws at the bottom of the sub unit and remove the Active-Passive Link bracket.

Subsequent sub units are attached underneath by removing the flying frame(s) and aligning the 4 top corner mounting holes with corresponding holes on the bottom of the sub unit above it. These are secured through using the 4 x M5 thumb screws accordingly.

Connection of passive units from the bottom sub unit is executed in the same way as for a single line array, with each group of 4 passive units linked in a single line-array.

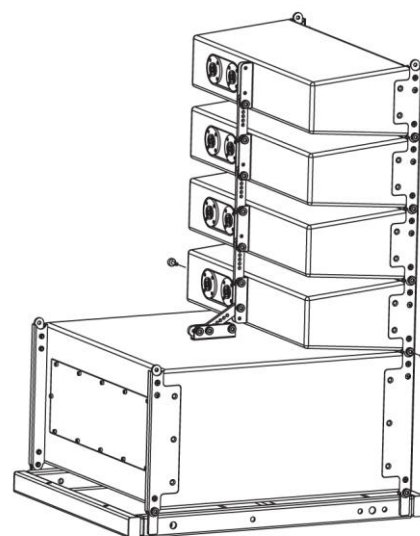


Floor-standing Stack

Where flying or ceiling mounting is not possible, it may be useful to arrange the CLA-300 as a free-standing stack on the floor or on a stage. In this orientation, the sub unit sits on its flying frame on the floor and the passive units are splayed upwards above the sub unit.

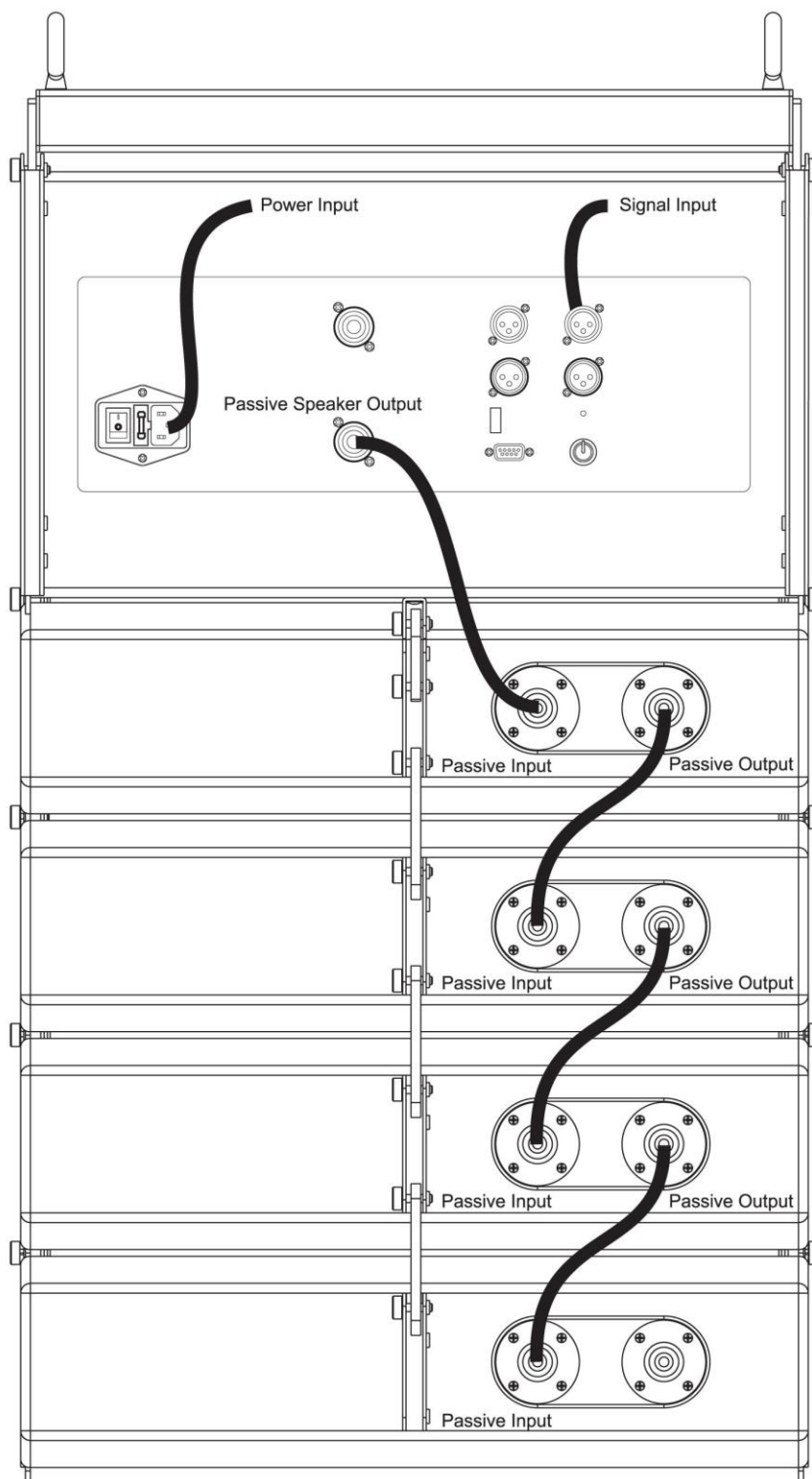
Prior to assembly, do not attach the 4 x M8 eyebolts to the flying frame. If the frame is likely to damage the floor surface, protect with rubber or other scratch-resistant material.

Assemble passive units above the sub in the same manner as for a standard flown array shown above but inverted. Splayed angle adjustment may be used for venues with raised rear seating areas (e.g. theatres)



Connection

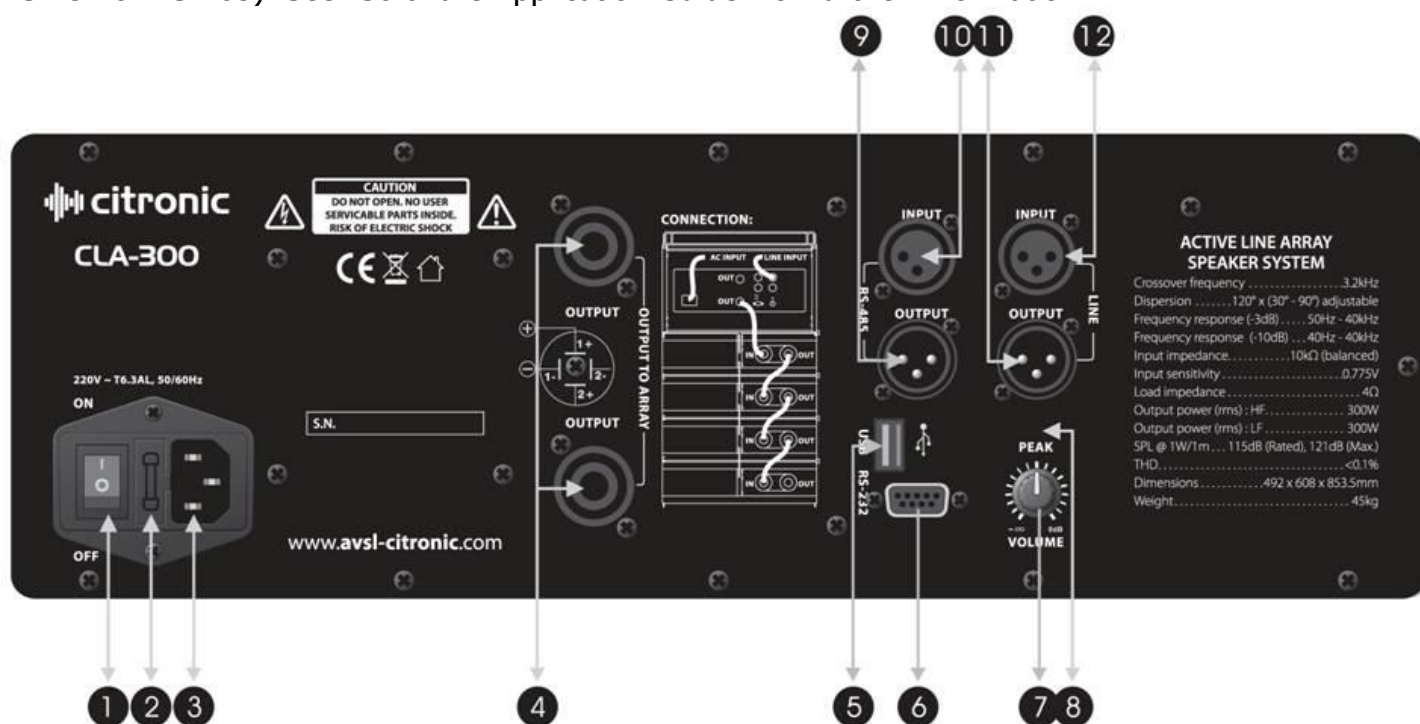
- Using the supplied speaker leads, connect 4 passive units to one sub unit as shown below.
- For multiple arrays, connect each group of 4 passive units to one sub unit.
- No more than 4 passive units may be connected to a single sub.
- Use the supplied IEC lead to connect to mains, ensuring correct voltage and power capacity
- Connect signal input via XLR (connect to LINE input – not to be confused with RS-485 input)
- To continue the signal onto further units, connect from the XLR LINE output



Active Amplifier Module with DSP

The internal amplifier in the sub unit is optimized for use in conjunction with the 4 passive array speakers with built-in stepless variable fan cooling, overload protection and short-circuit protection. The rear panel features a power switch and single rotary volume control with PEAK LED. If this LED lights more than momentarily, the amplifier is liable to clip and the volume control should be reduced until the PEAK LED lights only for an instant each time.

Input signal is processed via a DSP circuit for dynamics and EQ control, helping to protect the system and tailor the tonal response to the venue or particular application. A CDROM is included containing PC editing software for the CLA-300 processor section. Connection to a PC can be made using USB, RS-232 or RS-485). See "Software Application Guide" for further information.



1. Power switch
2. Mains fuse (replace only with approved type)
3. IEC mains inlet
4. Speaker output connectors (pin 1+ hot, pin 1- cold) parallel linked
5. USB port
6. RS-232 port (9-pin D connector)
7. Rotary VOLUME control
8. PEAK LED indicator
9. RS-485 output (digital XLRM connector)
10. RS-485 input (digital XLRF connector)
11. LINE signal output (XLRM)
12. LINE signal input (XLRF)

Software Application Guide

The CLA-300 is supplied with a CDROM containing software. This software is also available for download from www.avsl-citronic.com/product/171.227UK

System Requirements

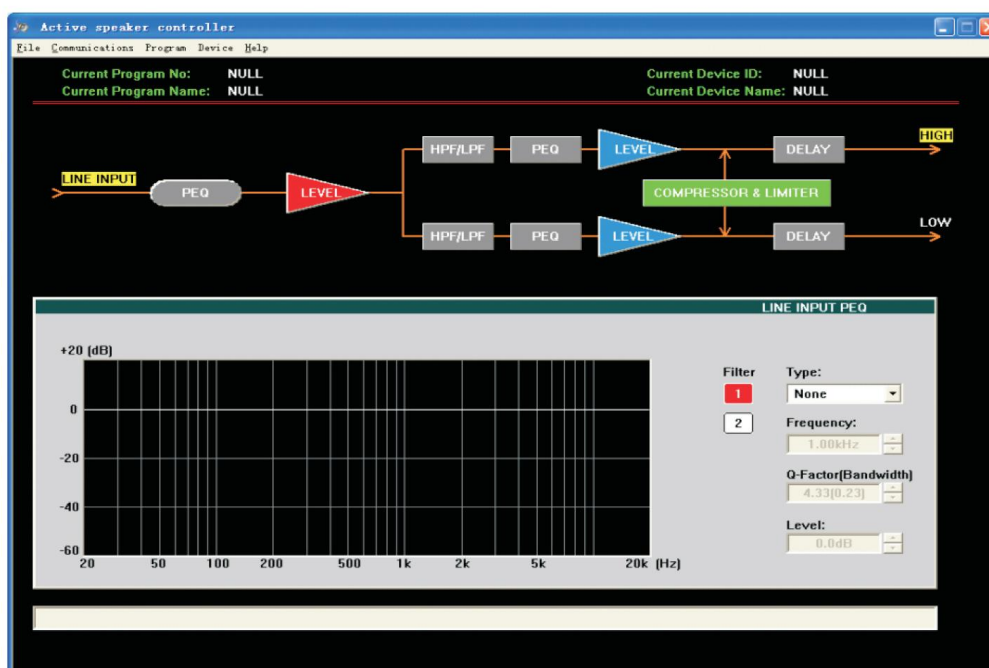
PC running Microsoft Windows XP or above.
 Display resolution 1024 x 768 or above
 USB or RS-232 port

Connection to PC

- Connect directly to PC via USB using the supplied cable. The PC will find a “new device”, prompting the computer to look for driver software. The driver file is included on the CDROM (Browse to the “Driver” directory)
- If USB connection is not available, serial port link can be made from the RS-232 input on the rear panel using the supplied D-connector lead, again requiring driver installation from CDROM
- For PCs with an RS-485 interface using XLR connection, this can be used to connect from the PC to the CLA-300 and passed from one CLA-300 to another using the RS-485 output connector

Software Operation

Install the software (Active Speaker Controller.exe) from CDROM or download and run from the start menu or desktop shortcut. The user interface window will appear as shown below.

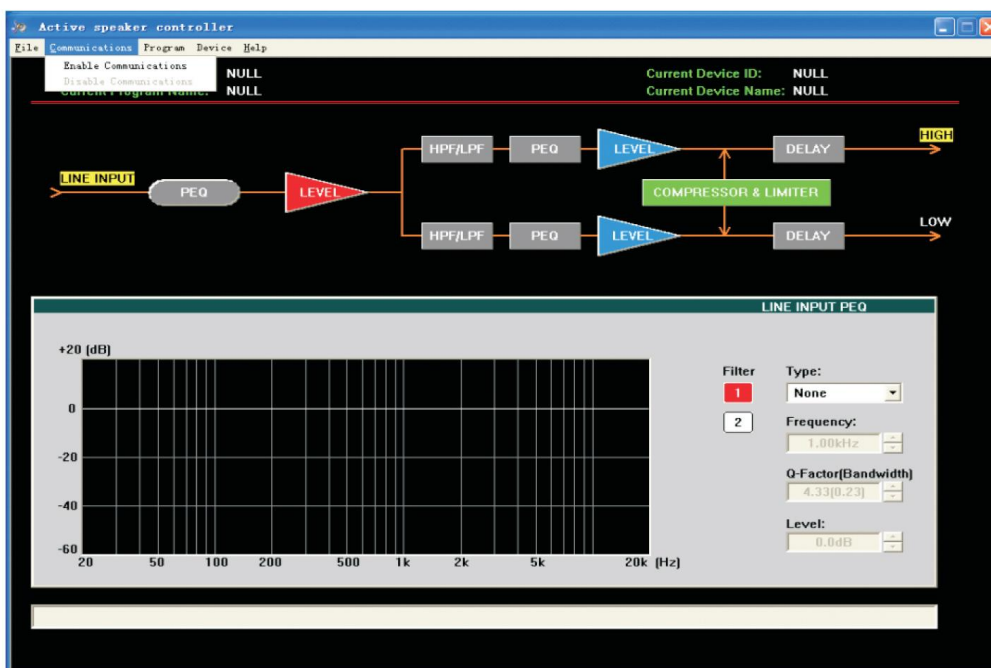


Menu Bar Description

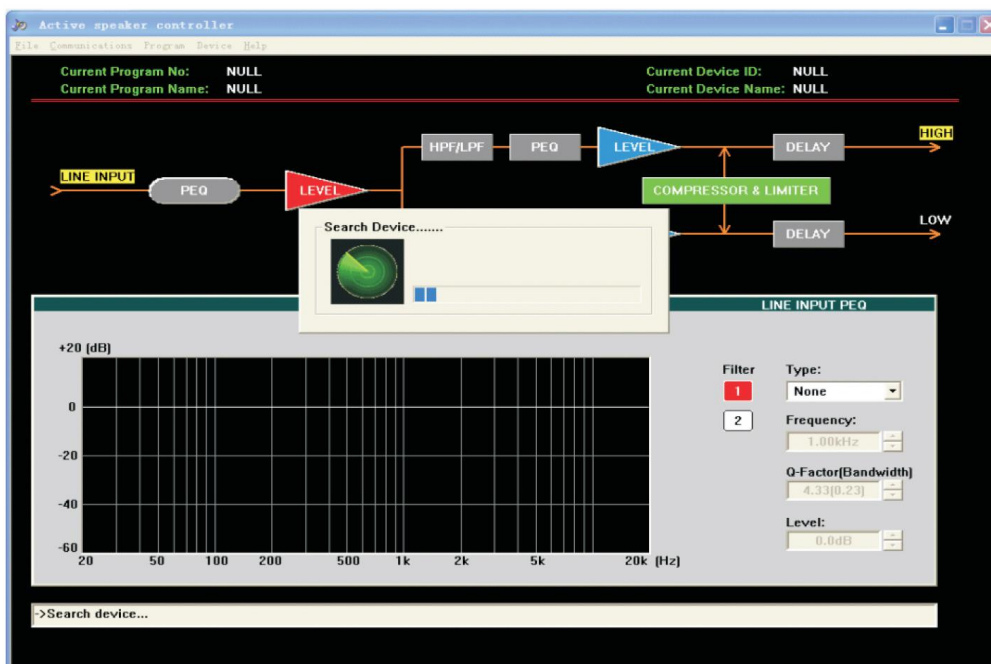
File	Communications	Program	Device	Help
Open files from PC memory	Enable or Disable Communications from PC to CLA-300	Display Current Program No	Modify device information (if CLA-300 connected)	Software version and information
		Display Current Program Name		
Save current configuration as a file to PC	Configure Serial Port to be used	Display Current Program Info		
		List Program & Recall		
		Save as Current Program in Device		

Communication

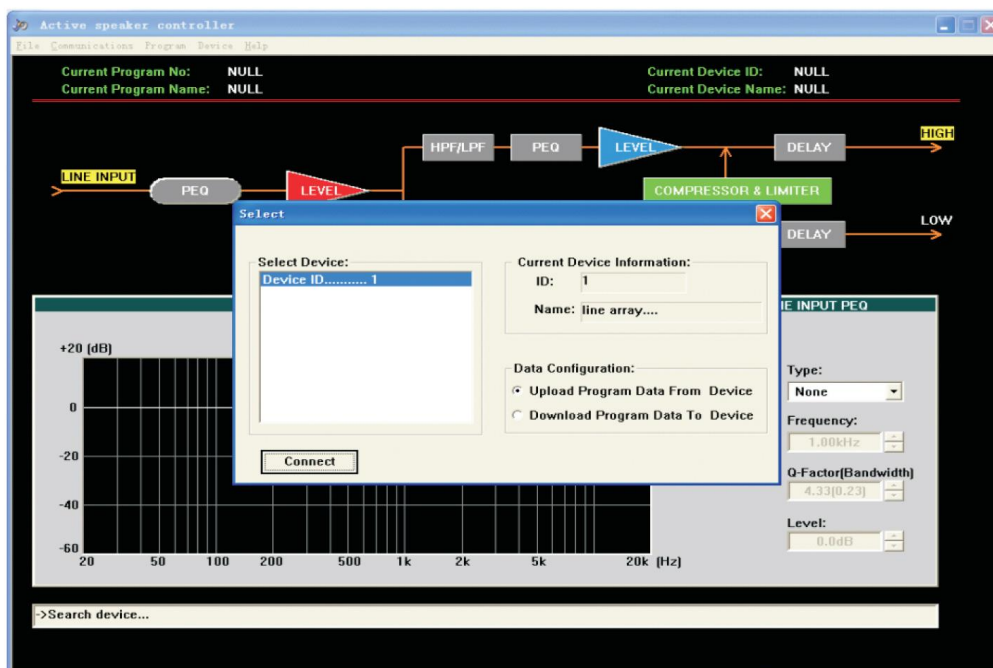
Once connected to PC, click the **Communications** tab and select **Enable Communications**



The PC will search for the CLA-300 and display "Search Device..." on the bottom status bar



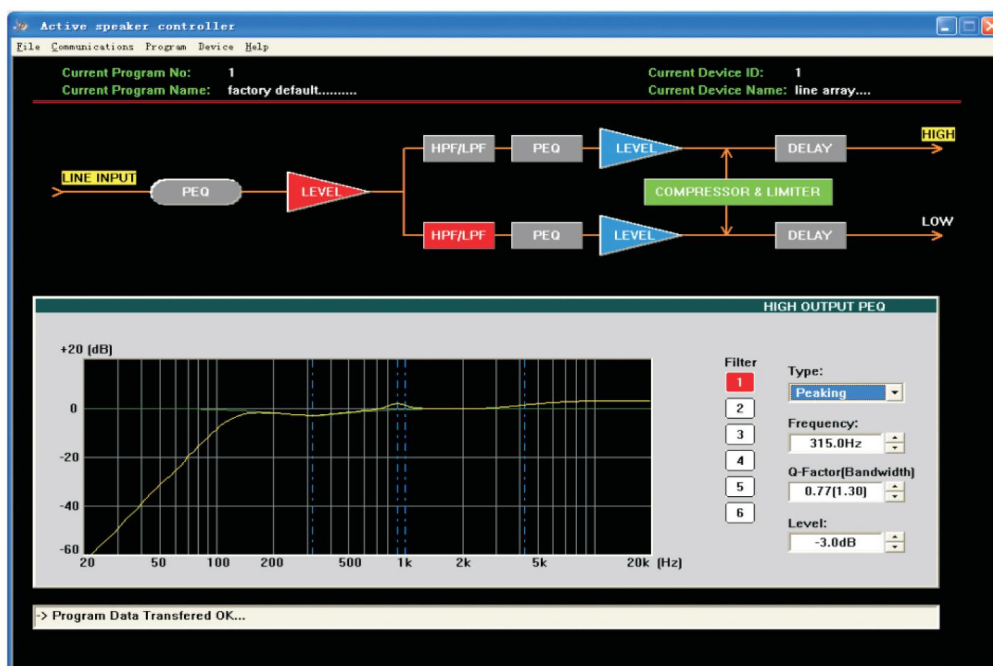
Once the CLA-300 device is detected, a Device Select window will appear as shown here.



Connected devices are listed on the left, showing the ID number. The current selected device ID number is displayed on the left-hand side. In multiple array setups, each must be allocated an individual ID number if they are to be controlled separately.

To load the current internal program from the CLA-300 into the software for editing, select "Upload Program Data From Device". If the program currently held in the software is to be loaded into the CLA-300, select "Download Program Data To Device"

Select the required device by clicking on it on the right-hand side of the window and click "Connect". The current program status will populate the control window as shown below.



Signal Processing Functions

The upper half of the control window shows a signal flow chart comprising various function buttons. Clicking on any of these buttons opens the parameters on the right side of the frequency chart which can be adjusted via further buttons and drop-down menus.

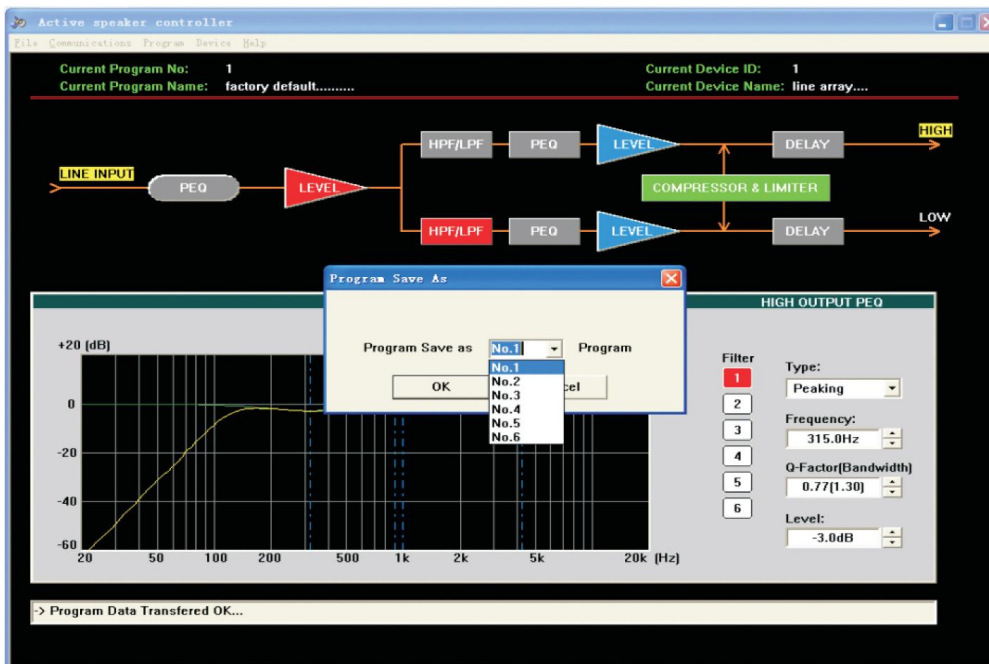
INPUT PEQ 1 + 2 (2 x Parametric Equalizer)	Filter Type: Peaking, Bandpass, Hi Shelf, Lo Shelf and Notch
	Frequency: 20Hz – 20kHz
	Bandwidth: 0.31 – 19.4 Octave
	Level: -12 – +12dB
LEVEL	Level: -90 – +12dB
HIGH HPF (High cabinets high-pass filter)	Filter Type: 3 x Butterworth, 3 x Bessel filter slopes
	Frequency: Off, 20Hz-20kHz
HIGH LPF (High cabinets low-pass filter)	Filter Type: 3 x Butterworth, 3 x Bessel filter slopes
	Frequency: 20Hz-20kHz, Off
LOW HPF (Sub cabinets high-pass filter)	Filter Type: 3 x Butterworth, 3 x Bessel filter slopes
	Frequency: Off, 20Hz-20kHz
LOW LPF (Sub cabinets low-pass filter)	Filter Type: 3 x Butterworth, 3 x Bessel filter slopes
	Frequency: 20Hz-20kHz, Off
HIGH OUTPUT PEQ 1-6 (High cabinets 6-band Parametric Equalizer)	Filter Type: Peaking, Bandpass, Hi Shelf, Lo Shelf and Notch
	Frequency: 20Hz – 20kHz
	Bandwidth: 0.31 – 19.4 Octave
	Level: -12 – +12dB
LOW OUTPUT PEQ 1-6 (Sub cabinets 6-band Parametric Equalizer)	Filter Type: Peaking, Bandpass, Hi Shelf, Lo Shelf and Notch
	Frequency: 20Hz – 20kHz
	Bandwidth: 0.31 – 19.4 Octave
	Level: -12 – +12dB
HIGH OUTPUT LEVEL (High cabinets output level)	Phase: Normal, inverse
	Level: -90 – +12dB
LOW OUTPUT LEVEL (Sub cabinets output level)	Phase: Normal, inverse
	Level: -90 – +12dB
COMPRESSION & LIMIT (Overall dynamics compression and limiting)	Threshold: -49.5dB – 0.0dB
	Ratio: 1:1 – Infinity (brick wall limit)
	RMS Time: 0.01msec – 15sec
	Release Time: 0.01msec – 15sec
	Attack Time: 0.01msec – 15sec
HIGH DELAY (High cabinets time delay)	ms (milliseconds) 0 – 21.2292ms (corresponding distance in metres and ft/inches displayed)
LOW DELAY (Sub cabinets time delay)	ms (milliseconds) 0 – 21.2292ms (corresponding distance in metres and ft/inches displayed)

Adjustment of the above parameters is represented by corresponding changes on the frequency curve display. Combined equalization curves are shown on the EQ page and combined crossover curves are shown on the HPF/LPF page.

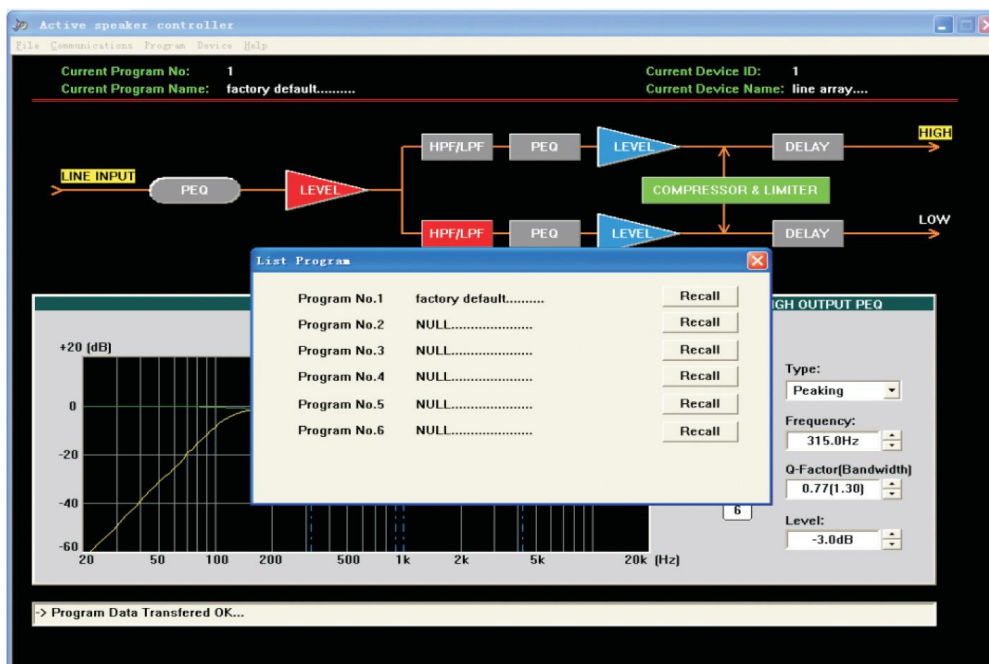
Program Management

Once adjustment of the program parameters is complete as required, the current displayed settings can be stored as a file to PC for future use. On the menu bar, click "File" and "Save as" and browse to the preferred directory and name the file to save for future reference. This can be repeated for many versions of the program with different settings if required. These files can later be loaded into the software from PC memory by clicking "File" and then "Open", browsing to the relevant file.

To load the current program from the software to the CLA-300, click "Program" and select "Save As Current Program In Device". The drop-down menu offers the choice of program numbers to save to.



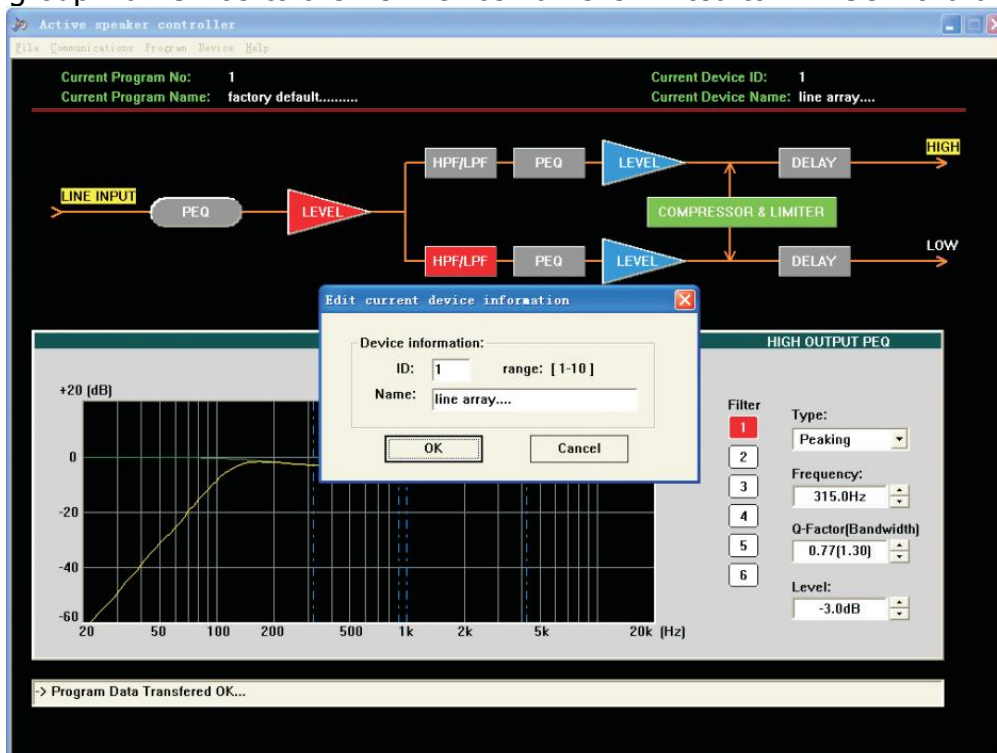
To recall program(s) stored in the CLA-300, click "Program" and select "List Program & Recall". A list of internal programs will appear – click "Recall" to load the required program into the software.



Device Information

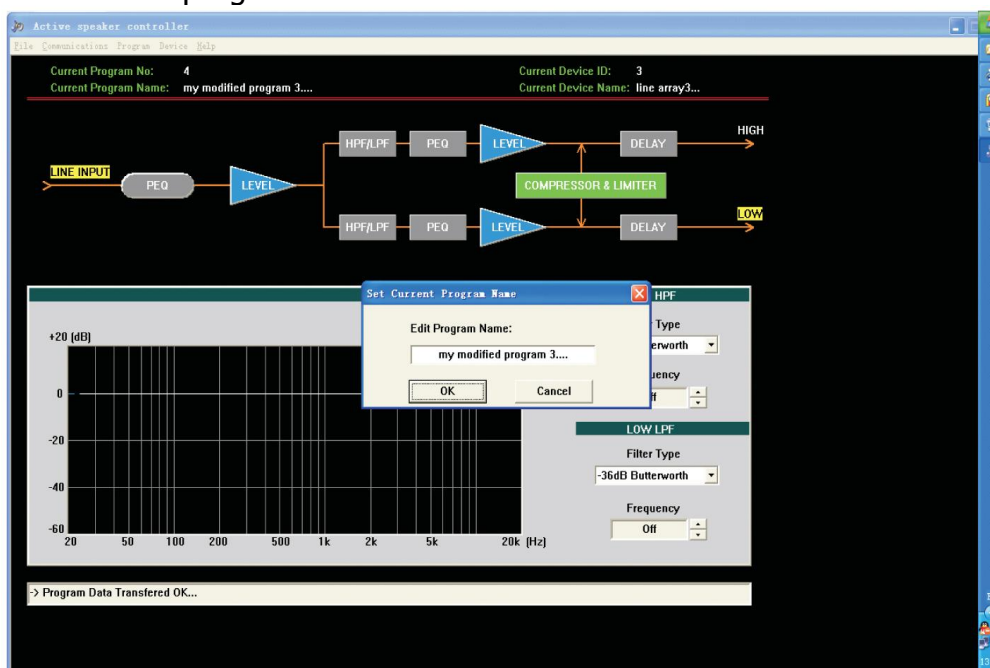
For each CLA-300 connected to the PC, the ID number and Device Name can be edited from the software editor. Click on the "Device" tab and select "Edit Current Device Information".

Note: Device ID is limited from 1 to 10, allowing up to 10 devices to be addressed separately connected in a group via RS-485 to the PC. Device name is limited to 14 ASCII characters.



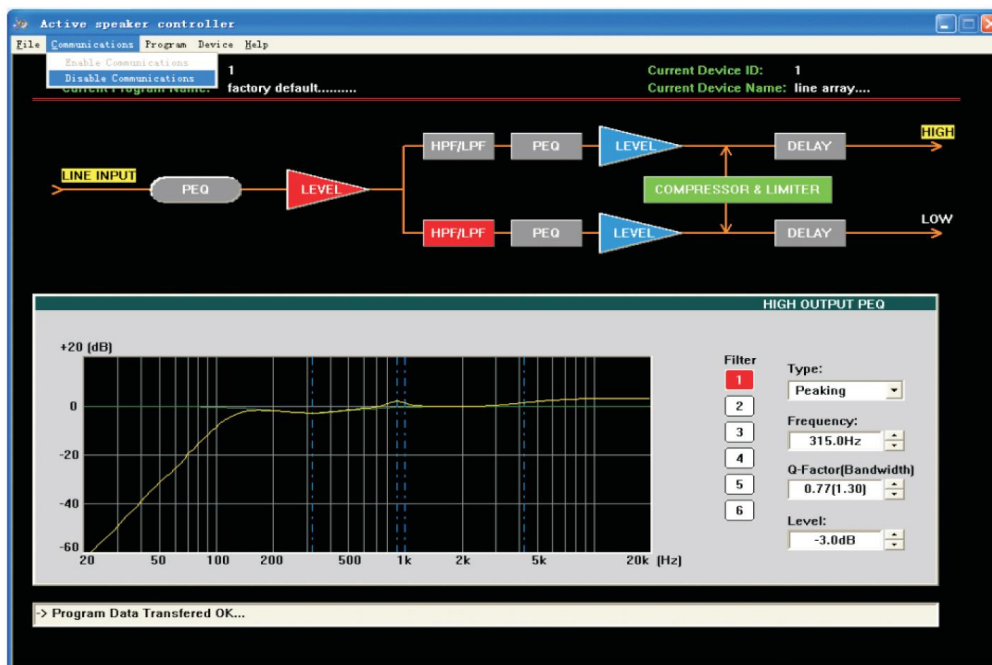
Program Name

To change the current program name, click on the "Program" tab and select "Edit Current Program Name" and type in the new program name.



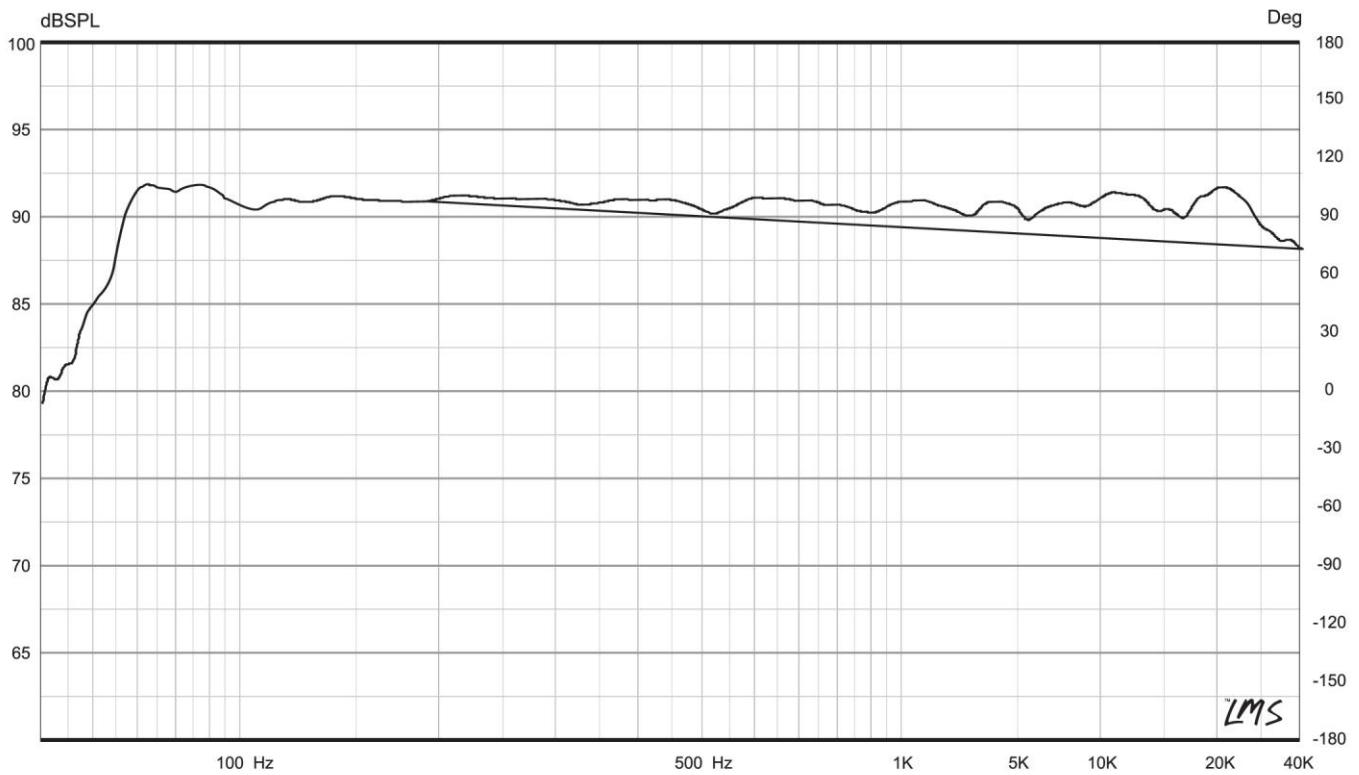
Disconnecting

If it is decided not to save the edited program to the CLA-300, click “Communications” tab and select “Disable Communications” and the CLA-300 internal program will remain unchanged and can now be disconnected from the PC

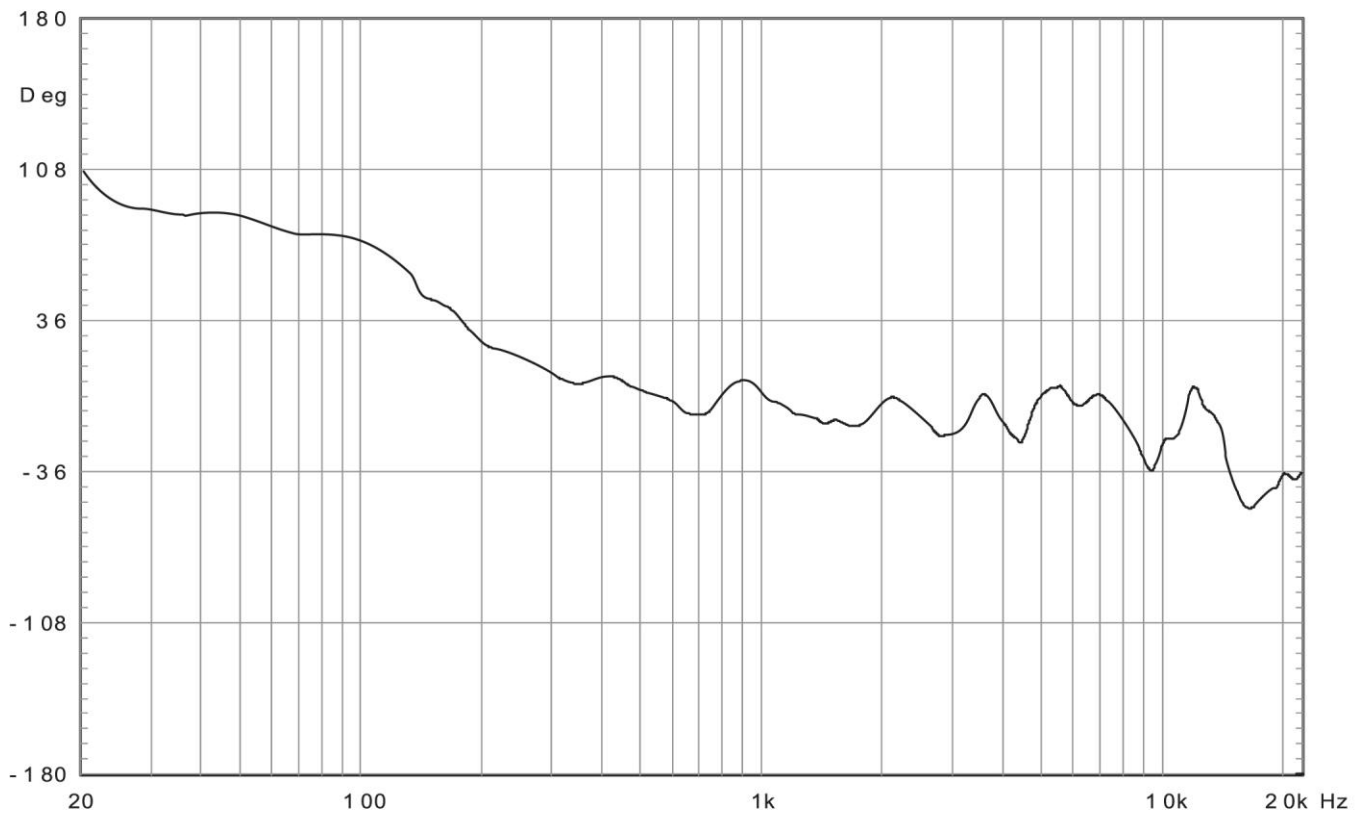


Technical Information

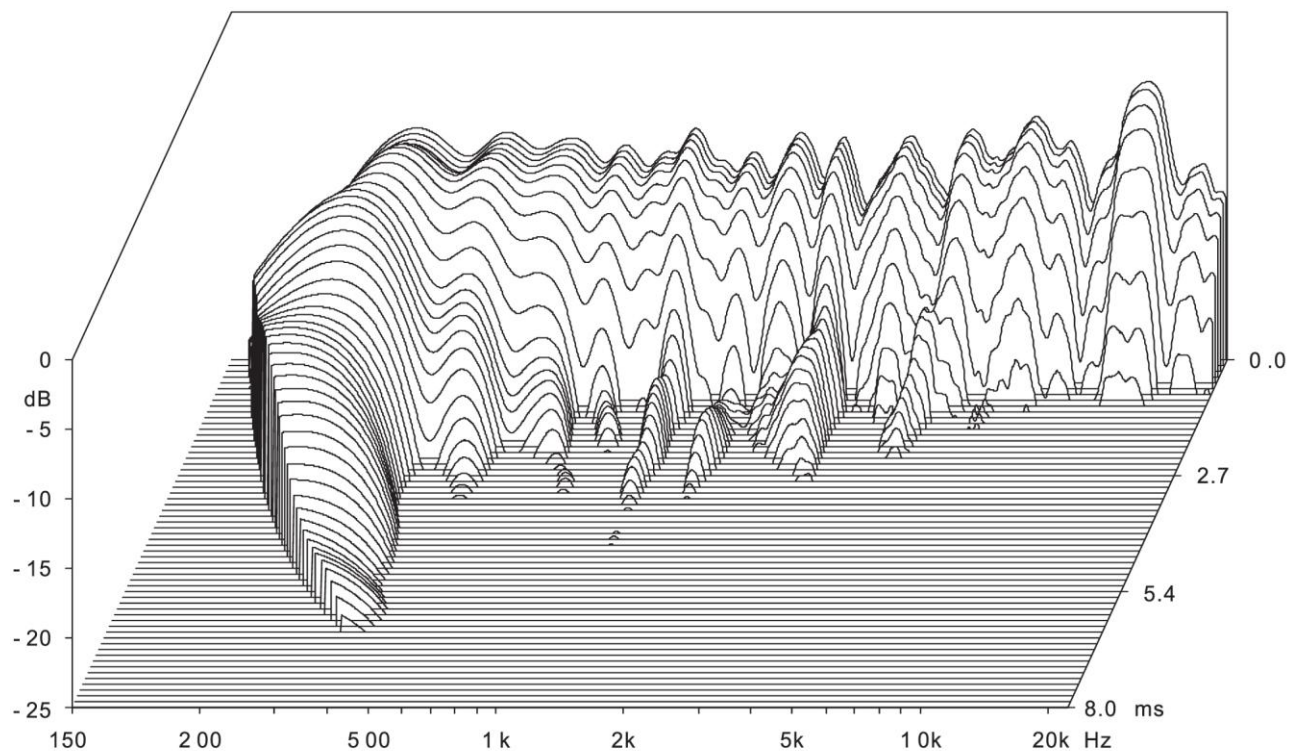
Frequency Response



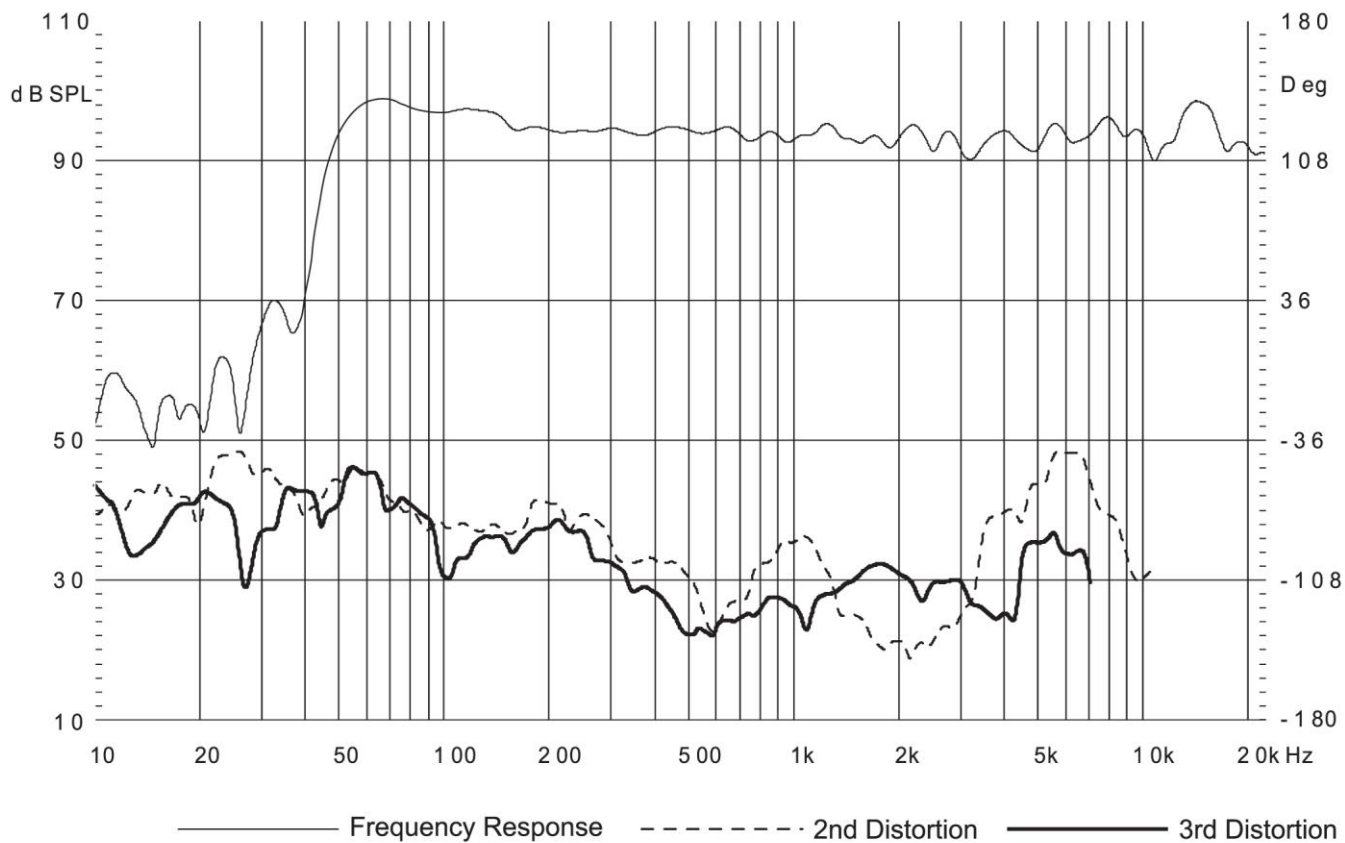
Phase Response



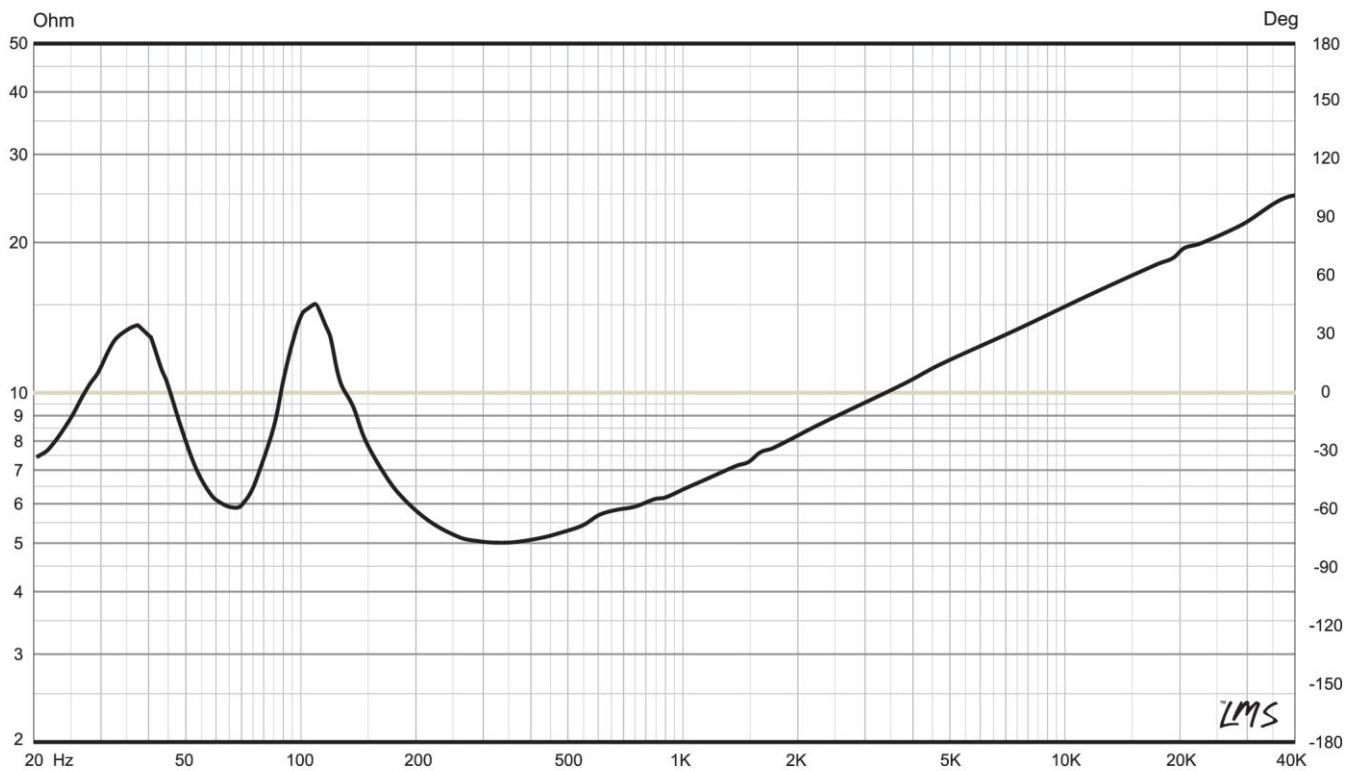
Waterfall



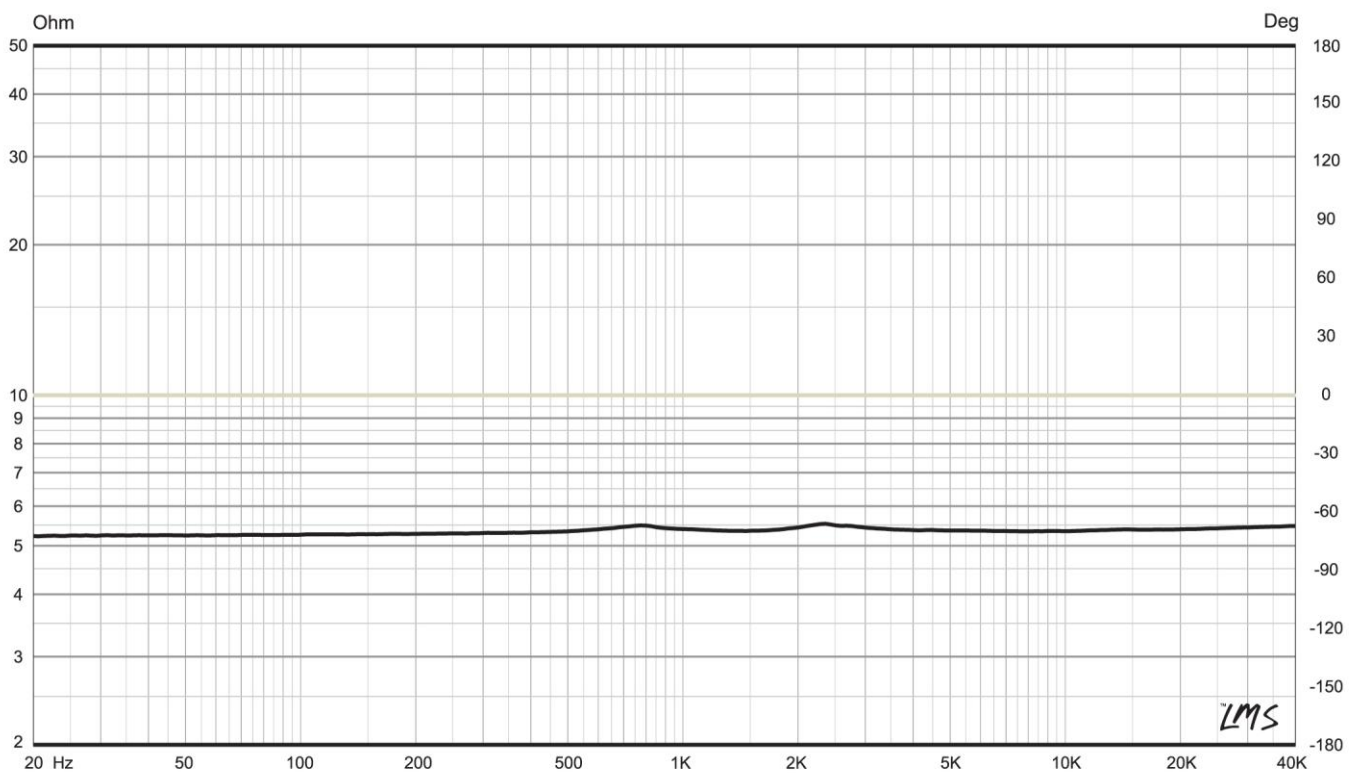
THD



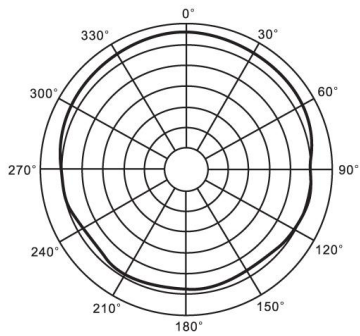
Impedance Curve – Active Unit



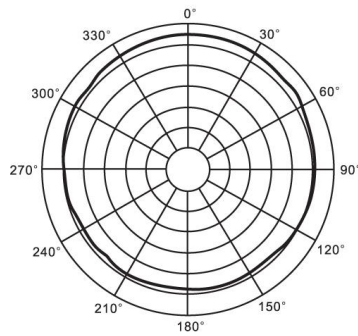
Impedance Curve – Ribbon Tweeter



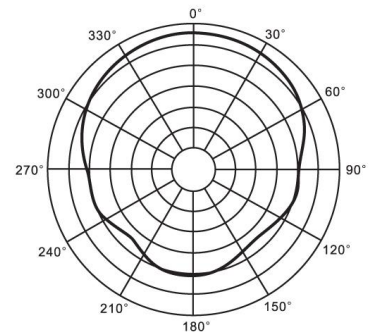
Horizontal Directivity



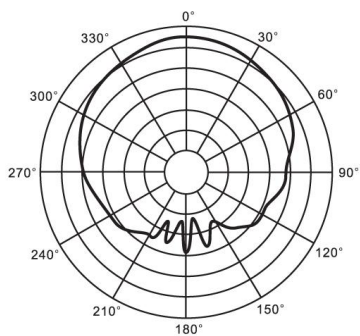
100Hz



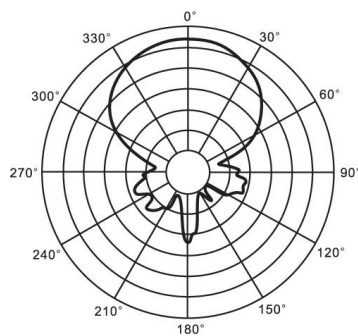
160Hz



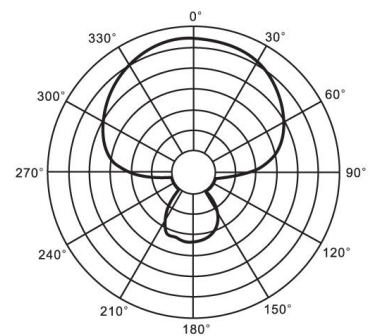
250Hz



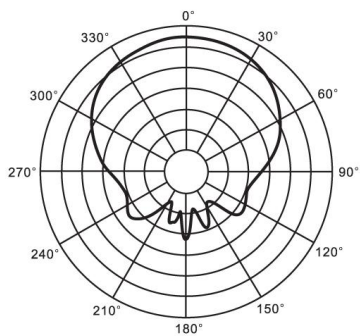
400Hz



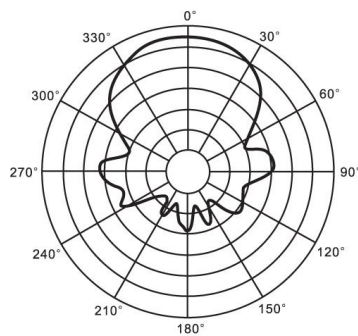
630Hz



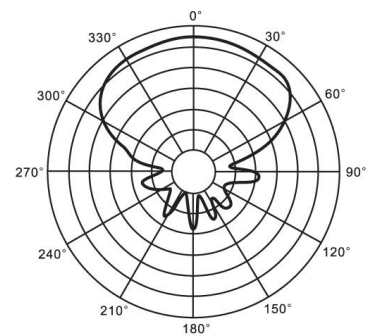
1kHz



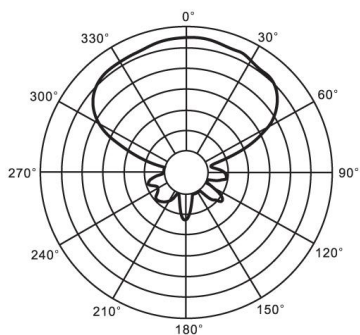
1.6kHz



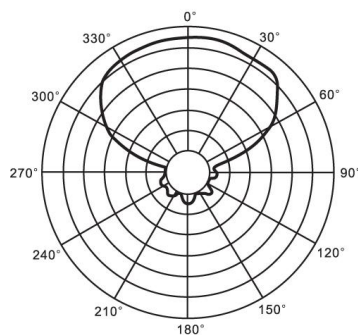
2.5kHz



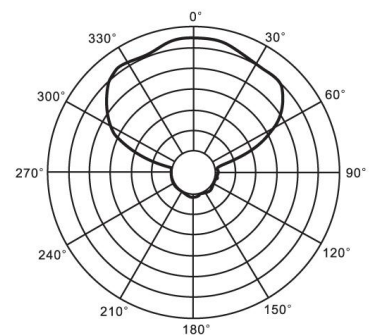
4.0kHz



6.3kHz

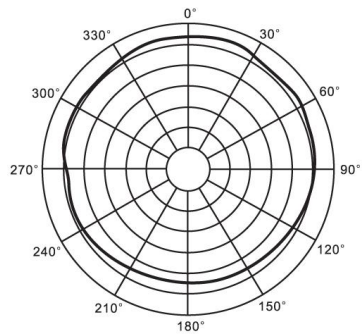


10kHz

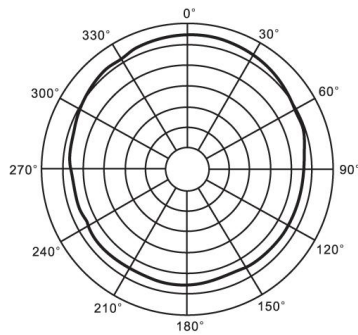


16kHz

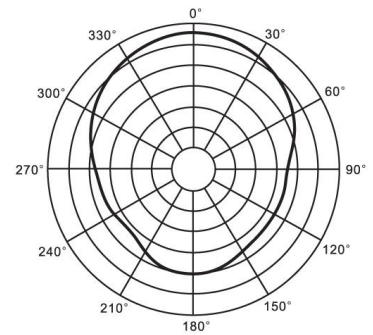
Vertical Directivity



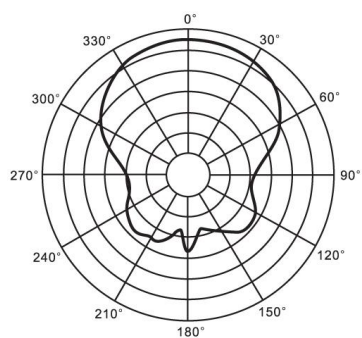
100Hz



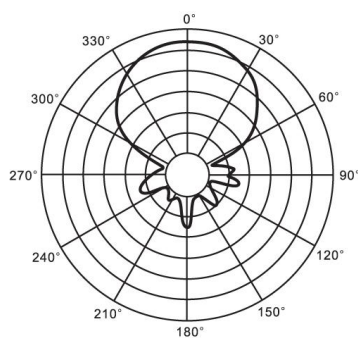
160Hz



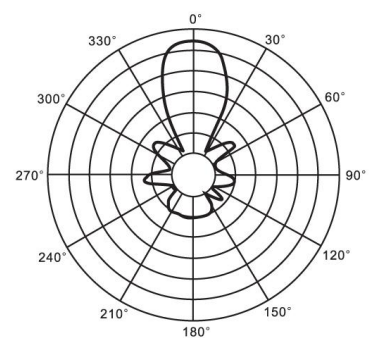
250Hz



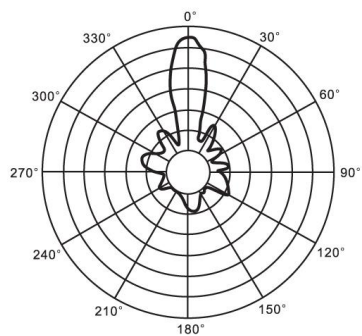
400Hz



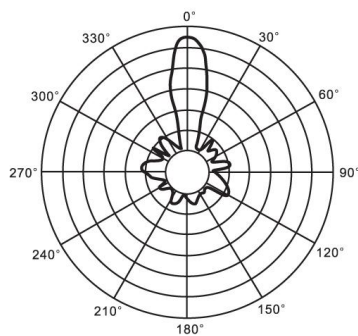
630Hz



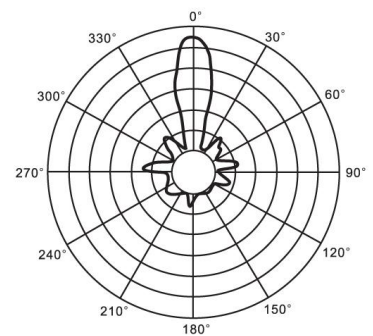
1kHz



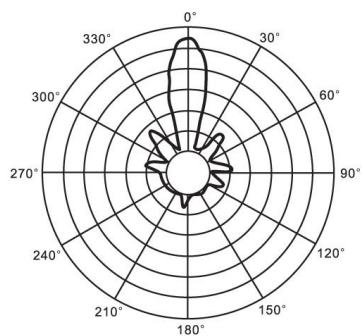
1.6kHz



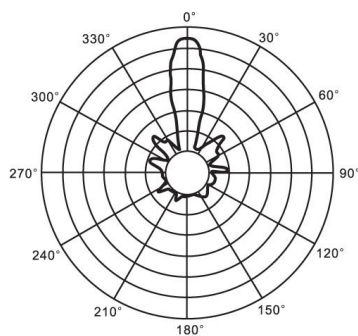
2.5kHz



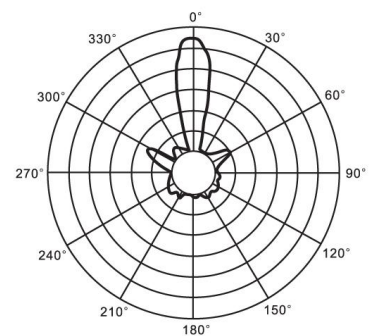
4.0kHz



6.3kHz



10kHz



16kHz

Specifications

Power supply	230Vac 50/60Hz (IEC)
Frequency range	50Hz – 20kHz
Max SPL	115dB/121dB (PEAK)
Horizontal dispersion	120°
Vertical dispersion	30° - 90°
Max constant power output for sub unit	300Wrms
Max constant power output for mid-top units	4 x 75Wrms
Total power max	1100W
Mid-top drivers (each cabinet)	2 x 100mm (4") + 1 x ribbon tweeter
Sub drivers	2 x 200mm (8")
Fuse	T6.3AL
Dimensions	492 x 608 x 900mm
Weight	45kg

